



(248) 545-4441  
info@jetsetspray.com  
<https://jetsetspray.com>

# 1000-MS

## JET-SET RIGID NOZZLE HOLDER

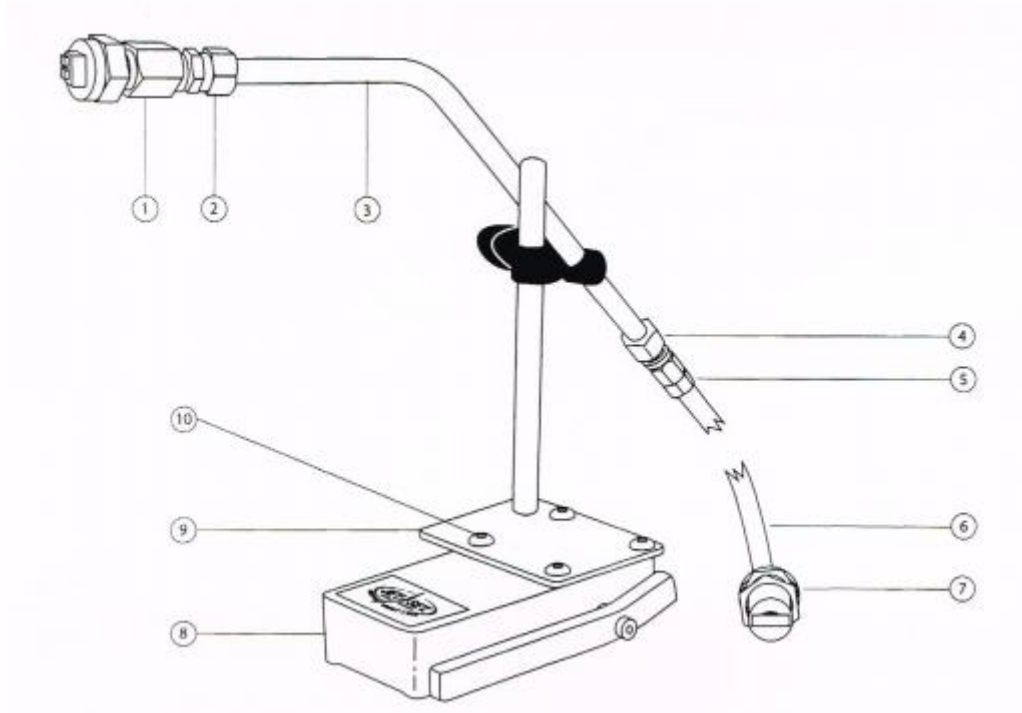
---



Rigid nozzle holders are ruggedly built to withstand all normal shop punishment. Shaft assembly is constructed with a steel tubing for a tough, corrosion resistant protection. Steel tubing may be ordered in lengths up to 6,12,18 or 24 inches at no extra cost. Nozzles are mounted on a 200lb 'Stay-Put' magnet for instant secure placement with an easy-release handle. No holes to drill, no special mounting brackets to fabricate. The shaft assembly of the rigid nozzle holders easily bends in all directions to reach over, under or around all types of obstructions. All nozzles have the quick plug-in feature. Just plug in the nozzle and the system is ready to go. Includes part number 900 with a 80015 flat spray tip.

# 1000-MS

## JET-SET RIGID NOZZLE HOLDER



### Individual part numbers:

- 1) 900: Complete Nozzle Assembly
- 2) 1207: Compression Fitting
- 3) 1457-B: Steel Tubing
- 4) 1207: Compression Fitting
- 5) 1004: Nylon Tubing Connector
- 6) 803-HD: 8' High Pressure Nylon Tubing
- 7) 801: Midget Plug
- 8) 1200: 200lb 'Stay-Put' Magnet

- 9) 644: Nozzle Holder Plate
- 10) 124-M: Bolts