

MOD-1

SINGLE PUMP MODULE W/AIR SWITCH



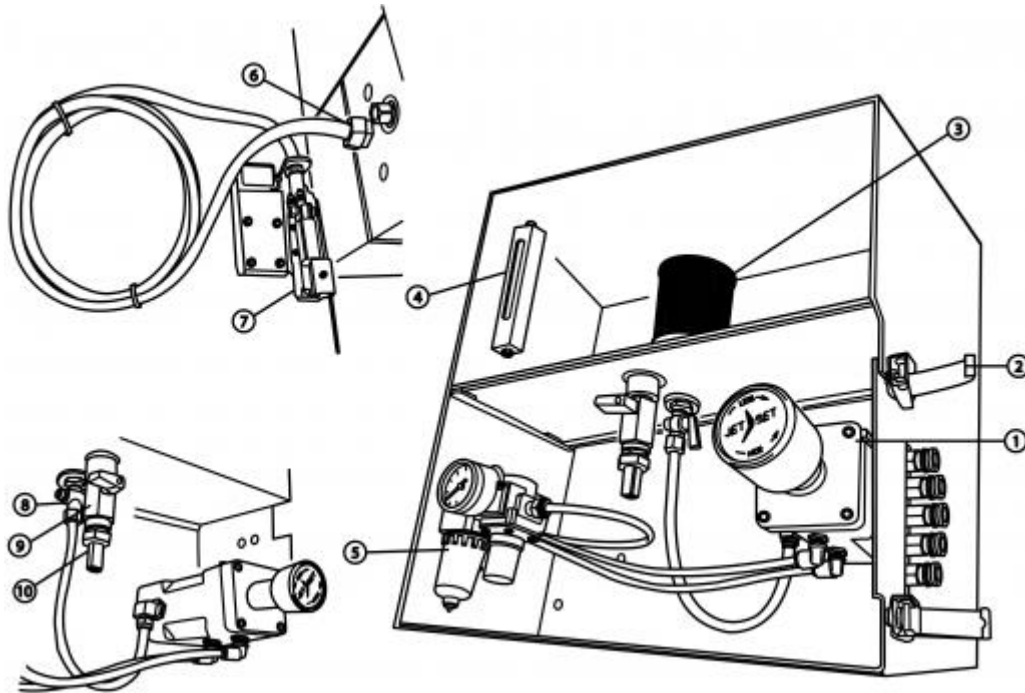
The MOD-1 JET-SET® spray system comes standard with our 5 Gallon stainless steel tank with sight gauge, reusable filter, and air regulator. This system includes one JET-SET 9100 stainless steel piston pump (0-5cc per stroke) with 5 outlets for spray nozzles. The 9100 pump is engaged using a Pneumatic actuator switch for system activation.

The Pneumatic actuator switch can be placed so the mechanical movement of the machine in use will trigger the system.

The MOD-1 comes standard with a 9100 pump that will give you millions of cycles of maintenance free operation. All JET-SET® pumps provide easy volume regulation by turning the nuraled regulator knob found on top of the 9100 pump. The 9100 pump can be regulated from 0 to 5 cc per cycle.

MOD-1

SINGLE PUMP MODULE W/AIR SWITCH



Individual part numbers:

- 1) 9100: Large S.S. Pump Exchange w/ 5 Outlets
- 2) 810: Draw Latch
- 3) 620: Standard Filter
- 4) 525: 5-1/2 Sight Glass w/ Fitting
- 5) 1501: SMC Style Filter / Regulator Unit
- 6) 815: Cable Clamp
- 7) 816-SA: Air Switch w/ Triple Tube Assembly
- 8) 505-A: Stopcock

- 9) 724-L: 1/2" NPT Ball Valve
- 10) 725: 1/2" NPT Tube Stem