

DM-1

SINGLE PUMP - DRUM MOUNT WITH AIR SWITCH



The JET-SET® DM-1 Drum Mount system consists of One JET-SET 9100 stainless steel piston pump (0-5cc per stroke) with 5 outlets for spray nozzles. Pneumatic actuator switch for system activation. The Pneumatic actuator switch can be placed so the mechanical movement of the machine in use will trigger the unit.

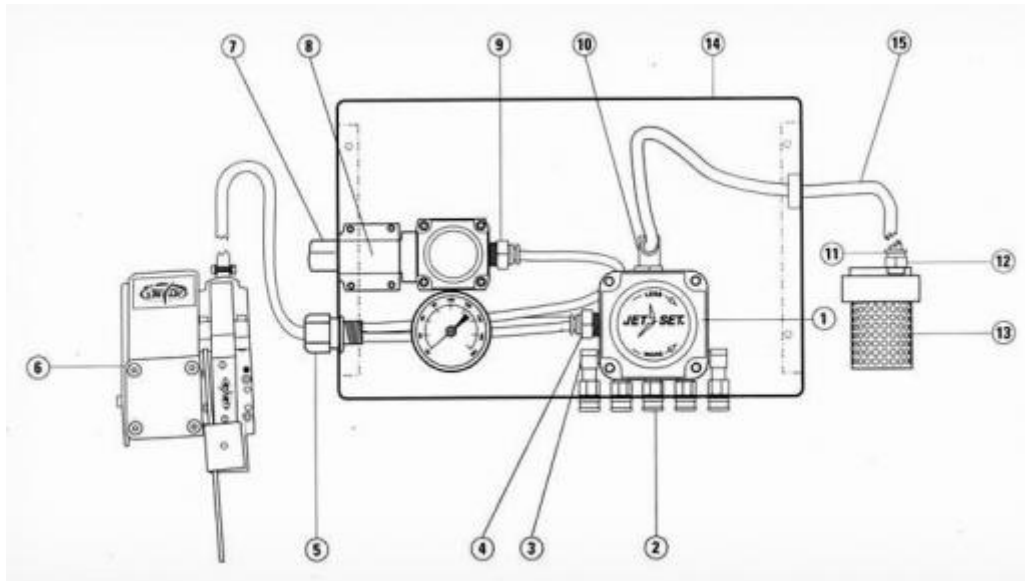
The JET-SET® Drum Mount is easy to use, completely portable and can be set up on top of a 55 gallon drum or anyplace that is convenient. The DM-1 System is fully automatic and applies lubrication exactly where it is needed.

The DM-1 is activated by an Pneumatic actuator switch mounted on a 200lb pull magnet. The switch can be placed so the mechanical movement of the machine in use will trigger the unit. All of the components of the DM-1 system are enclosed in a durable stainless steel box. The DM-1 system can be placed on top of a 55 gallon drum or mounted in a convenient place near the point of operation.

Save time and money by letting your lubrication drum be your holding tank.

DM-1

SINGLE PUMP - DRUM MOUNT WITH AIR SWITCH



Individual part numbers:

- | | |
|---|--|
| 1) 9100: Stainless Steel JET-SET® Pump | 9) 813-P: 1/4" NPT x 1/4" Push-In |
| 2) 802: 1/8" NPT Male Midget Plug | 10) 897: 1/8" NPT x 3/8" Tube Connector |
| 3) 811: 1/8" x 1/8" Union Elbow | 11) 822: 3/8" Tube Support Brass Insert |
| 4) 820-P: 1/4" Push-In Connector | 12) 3860-N: 1/4" NPT x 3/8" Tube Connector |
| 5) 815: Cable Clamp | 13) 3600-2: 60 Mesh Filter |
| 6) 816-SA: Air Switch w/ Triple Tube Assembly | 14) 3001-1-S: Stainless Steel Box & Cover |
| 7) 814: 1/4" NPT x 1/4" FPT Adapter | 15) 3800: 3/8" Nylon Tubing - 8' |
| 8) 1501-D: Air Regulator Assembly | |