

JET-SET® MOD-2E-21

21 GALLON 10 NOZZLE SYSTEM



The MOD-2E-21 JET-SET® spray system comes standard with our 21 Gallon stainless steel tank with sight gauge, reusable filter, and air regulator. This system includes two JET-SET 9100 stainless steel piston pumps (0-5cc per stroke) with 10 outlets for spray nozzles. The 9100 pumps are engaged using the electric solenoid to receive external signals for system activation. The MOD-2E-1 comes standard 110v unless specified.

The electric solenoid in our MOD-2E-21 is wired into your machine which allows lubrication to be sprayed at the beginning of each machine cycle.

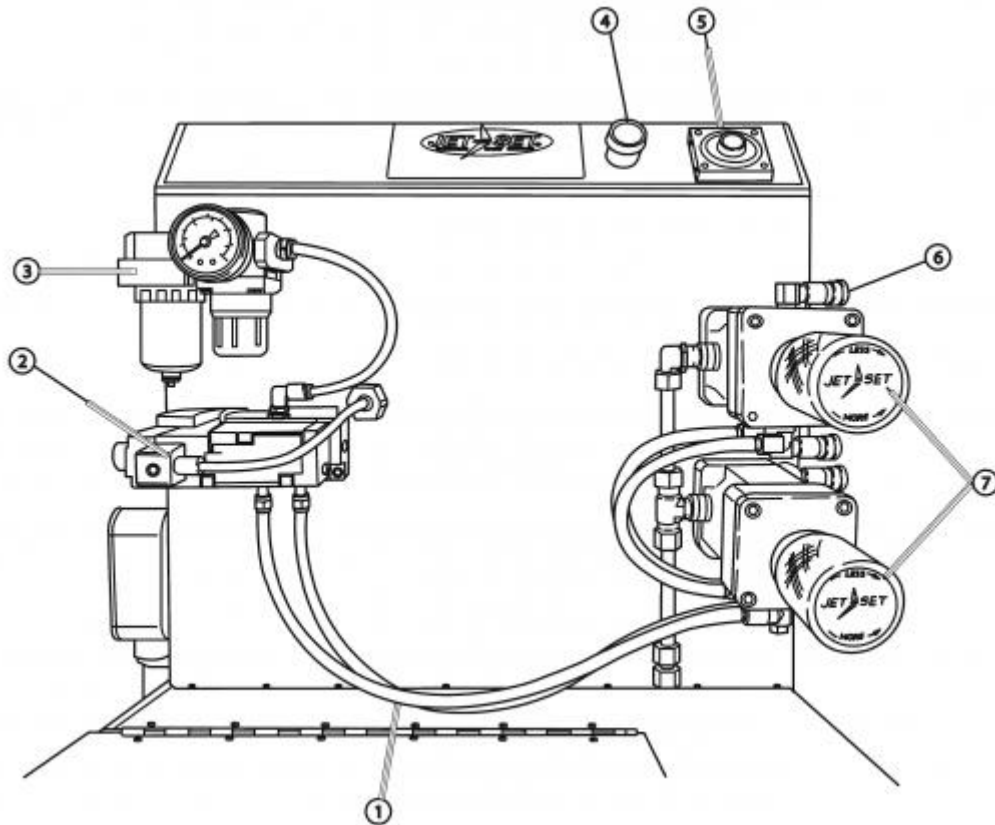
The MOD-2E-21 comes standard with two 9100 pumps that will give you millions of cycles of maintenance free operation. All JET-SET® pumps provide easy volume regulation by turning the nuraled regulator knob found on top of the 9100 pump. The 9100 pump can be regulated from 0 to 5 cc per cycle.

The MOD-2E-21 can also be equipped with a 1401 timer, 1471 counter, or both. With

the 1471 you can count a predetermined number of press cycles before lubricant is required. The 1401 can be set to activate when you want per cycle, including multiple times per cycle

JET-SET® MOD-2E-21

21 GALLON 10 NOZZLE SYSTEM



Individual part numbers:

- 1) 803-HD: Heavy Duty Tubing
- 2) 1400-N-NU: Solenoid Valve and Base
- 3) 1501: Air Regulator Assembly
- 4) 1420: On/Off Switch with Indicator
- 5) 1401: Timer
- 6) 802: 1/8" NPT Male Midget Plug
- 7) 9100: 9100 Pump
- 8) 816-MS: Micro Switch Assembly (optional)