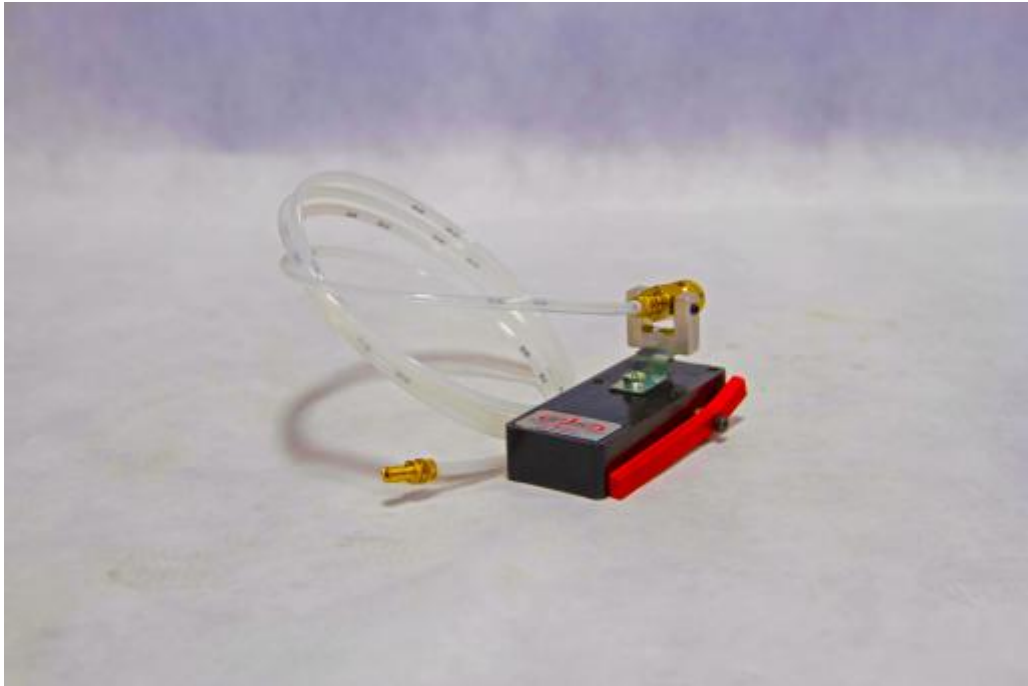




(248) 545-4441
info@jetsetspray.com
<https://jetsetspray.com>

1100-M

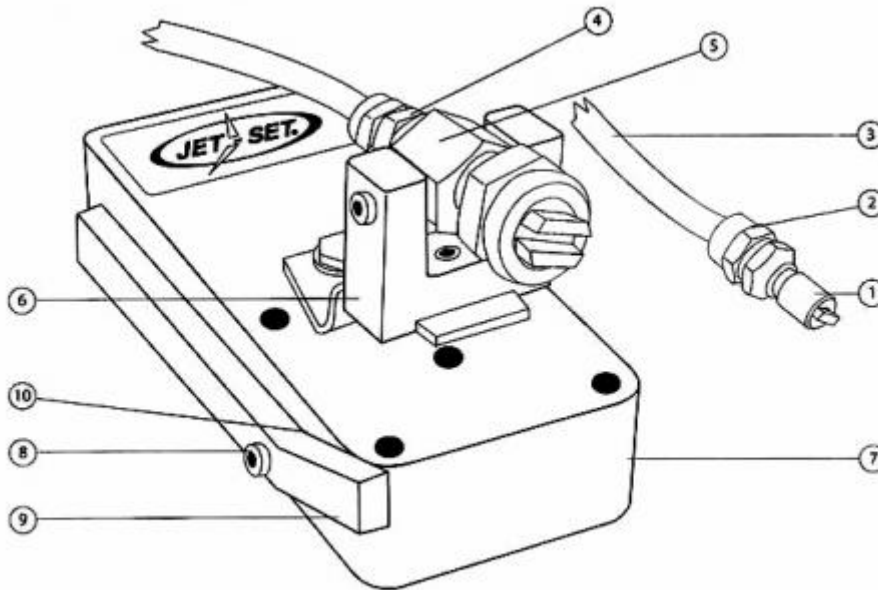
JET-SET® SWIVEL NOZZLE



JET-SET® Swivel Nozzle holders are ruggedly built to withstand all normal shop punishment. The unique design of the swivel yoke allows it to be aimed at the exact location to be lubricated. Nozzles are mounted on a 200 lb. "Stay-Put" pull magnet for instant secure placement with an easy-release handle. No holes to drill, no special mounting brackets to fabricate. All nozzles have the quick plug-in feature. Just plug in the nozzle and the system is ready to go.

1100-M

JET-SET® SWIVEL NOZZLE



Individual part numbers:

- | | |
|---|------------------------------------|
| 1) 801: Midget Plug |) : 904: Nozzle Gasket (qty 2) |
| 2) 823: Nut and Sleeve |) : 905: Nozzle Body (qty 1) |
| 3) 803-HD: Heavy-Duty Nylon Tubing | 6) 1102: Swivel Yoke Assembly |
| 4) 820: Brass Connector | 7) 1200: 200 lb. "Stay-Put" Magnet |
| 5) 900: Nozzle Assembly | 8) 1204: Bolt for Release Lever |
|) : 901: Nozzle Nut (qty 1) | 9) 1203: Release Lever |
|) : 902-80015: Nozzle Tip (qty 1) | 10) 1205: Nylon Washer (not shown) |
|) : 903-20: Ball Check Strainer (qty 1) | |